



D.I.Y. INSTALLATION INSTRUCTIONS

TOOLS REQUIRED:

Measuring Tape



Pencil or Marker

Drill

7/16" Drill Bit (for metal)



1/4" Drill Bit (for metal)

Phillips Screwdriver (hand)



Power Driver or Drill with Phillips drive bit



Masking Tape

USE CAUTION

When operating power tools
Wear EYE, EAR, HAND protection
and proper clothing.

1. Lower Tail Gate and remove bed liner.
2. Measure and mark center of Tail Gate. See FIG. 1.(double check by measuring from both sides).
3. With "Living Step" placed in Mold, place onto Tail Gate and align center of Tail Gate with center of Step.
Align front edge of Step with "top" edge of Tail Gate. See FIG 2.
4. Open Step and check that Step opens to a "full stop"
before the legs contact the Tail Gate. See FIG 3.
5. Recheck the position of the Step (centered, etc).
Carefully (as not to shift the positioning) of Mold,
using the provided self drilling screws, secure the Mold in 2 opposite
corners. See FIG. 4

FIG. 1



FIG. 2



FIG. 3



FIG. 4



NOTE: Before proceeding...

TO AVOID DAMAGE TO OUTSIDE SKIN OF TAILGATE...
use a DEPTH STOP on all drill bits (to prevent over penetration).
Use Tape as a visual guide OR a piece of PVC pipe or tubing as a
physical guide.



Double check all dimensions, positioning, alignment, etc. ————— **Living Step** will not be responsible for any
installation related damage to the **Living Step**, installer, or vehicle

6. Drill 1/4" hole at right front position, through existing hole in Step and into tail gate. . (FIG. 5)
7. Place 1/4"-20 screw (provided) into hole, to help keep Step position from shifting. (FIG. 8)
8. Drill at remaining hole positions.
Place screw into each newly drilled hole **BEFORE** drilling the next hole.
9. With all (6) holes drilled, remove all screws (including the 2 self drilling screws
at corners of Mold).
10. Remove Gate and Mold.
11. Using 7/16" drill bit (and depth stop), enlarge the (6) 1/4" holes drilled in previous steps.
See FIG. 6

Note: DO NOT enlarge the (2) small holes at corners of mold

FIG. 5



D.I.Y. INSTALLATION INSTRUCTIONS

12. Insert a Jack Nut * into each 7/16" hole.
See FIG. 7



FIG. 6



NOTE : Use wrench supplied when inserting Jack Nuts.

Insert mounting screw through wrench and into Jack Nut (with Jack Nut in hole in Tail Gate).
Wrench will keep Jack Nut from spinning, while tightening screw will expand and "set" Jack Nut.
After Jack Nut is set, remove screw.

NOTE: If Jack Nut is NOT on a flat surface, refer to FIG. 11

13. Place Mold and Step back into position, hand thread a provided
1/4"-20 screw thru Step and into each Jack Nut, See FIG. 8
14. Using a power driver tighten all (6) screws.
15. As in step 5, screw down all (4) corners of Mold.
16. Install Cover Caps over (4) corner holes in Mold See FIG. 9
17. *LivingStep* should now be ready use.
Installed (in open position) *LivingStep* should appear as shown back in FIG. 3.

FIG. 7



FIG. 8



FIG. 9

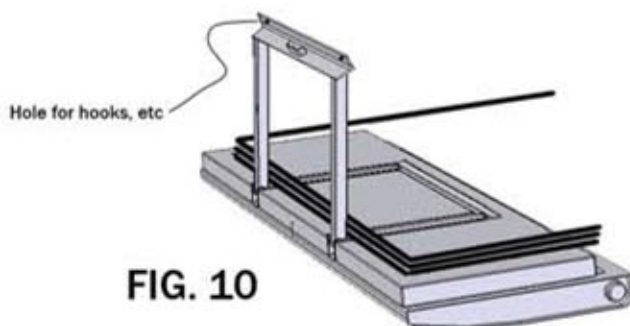


FIG. 10

FIG. 11

If Jack Nut is NOT on a parallel surface with STEP,
Install as normal



With Screw in place...TAP straight with hammer.

Threads and screw are now aligned properly and will work during final assembly of STEP



Use of LivingStep applies added strain to tail gate support cables,
check cables regularly and replace as necessary